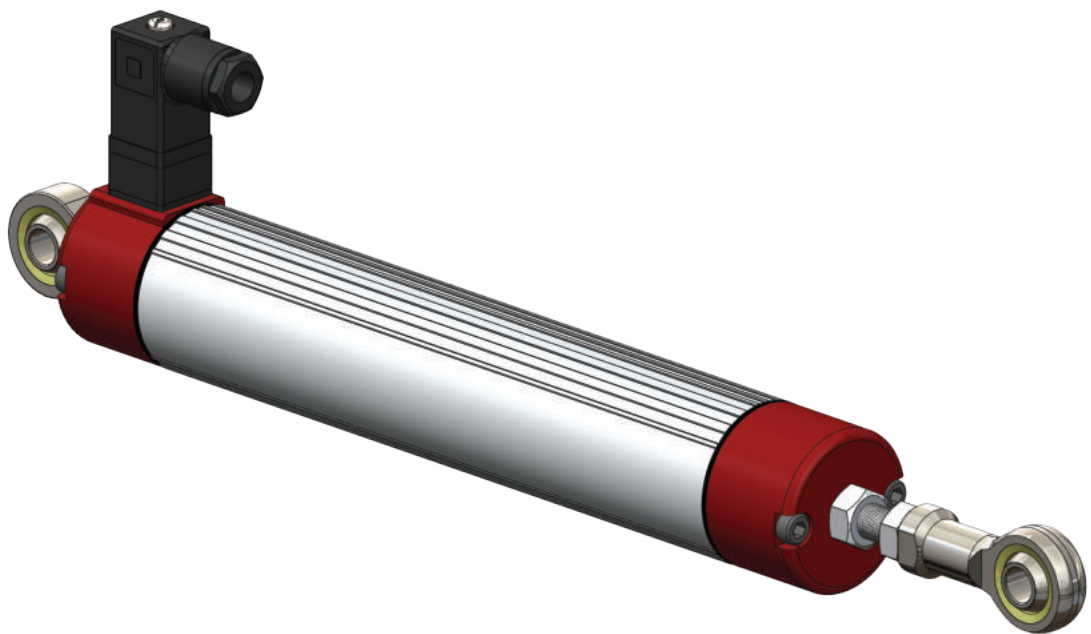


LPC

Linear Potentiometer

Long Stroke Series 50 - 800 mm



1. TECHNICAL SPECIFICATIONS

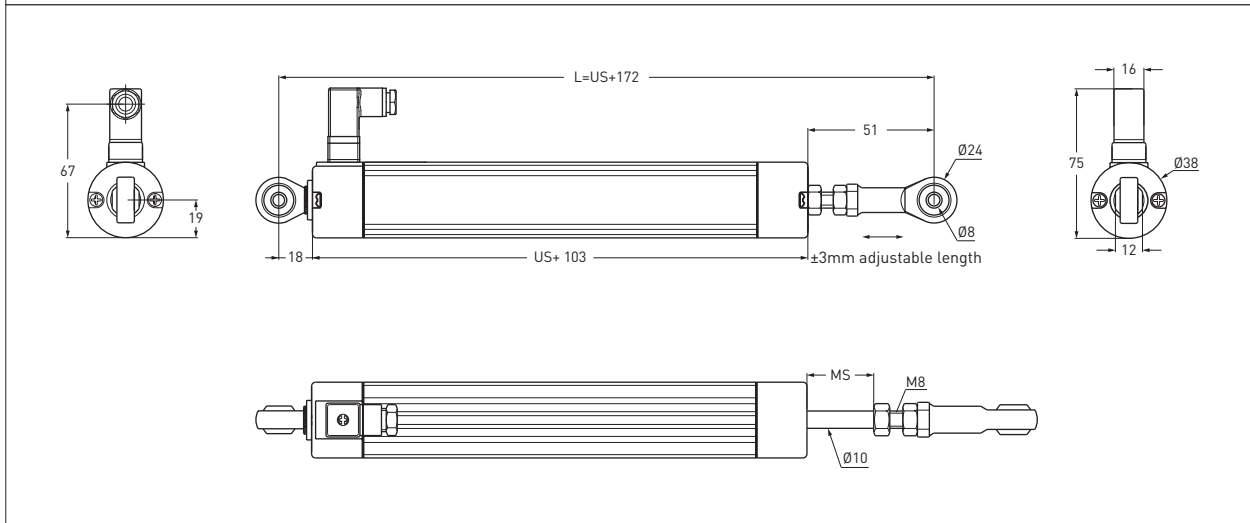


Measurement stroke	50 - 800 mm
Resolution	Infinite
Repeatability	< 0.01 mm
Permissible applied voltage	28 VDC max.
Electrical connections	CH2: Hydraulic type, 4 pin connector output (standard) CN5A (M12) or CN5B (M16), 5 pin connector output (optional) Cable output (optional)
Displacement speed	< 5 m/s
Mechanical life	100 million movement
Protection level	IP 65
Vibration	EN 60068-2-6 5-2000 Hz 200 m/s ² (20g) 2h 30min each axis (x,y,z)
Shock	EN 60068-2-2:2007 500 m/s ² (50g) 11ms. (x,y,z axis)
Resistance	5 kOhm: 50 - 600 mm 10 kOhm: 650 - 800 mm
Resistance tolerance	± %20
Load resistance	100 kOhm min.
Recommended wiper current	<1 μA
Linearity	A: ±%0.5 (≤75 mm) B: ±%0.2 (100 - 125 mm) C: ±%0.1 (130 - 225 mm) D: ±%0.05 (≥250 mm)
Case dimensions	Ø 38 mm
Case material	Anodized aluminium
Caps material	ABS Plastic
Rod material	Stainless steel AISI 303
Rod diameter	Ø 10 mm
Mechanical fixing	Ball joints on the both sides (plastic)
Operating temperature	-20°C ... +80°C
Storage temperature	-30°C ... +90°C

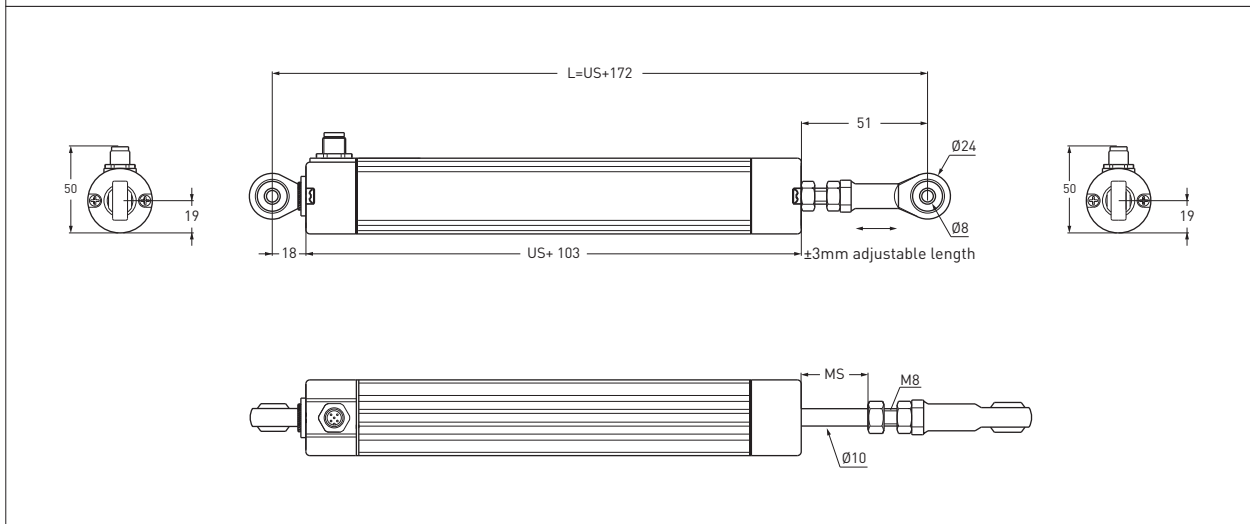
2.MECHANICAL SPECIFICATIONS



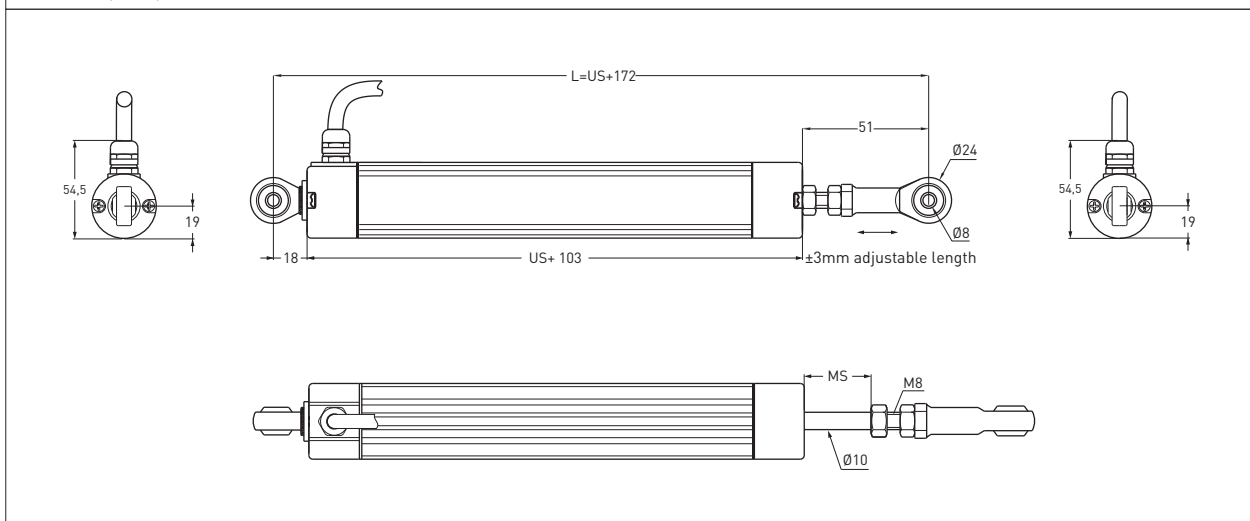
CH2: Hydraulic type, 4 pin connector output (standard)



CN5A (M12) or CN5B (M16), 5 pin connector output (optional)



Cable output (optional)

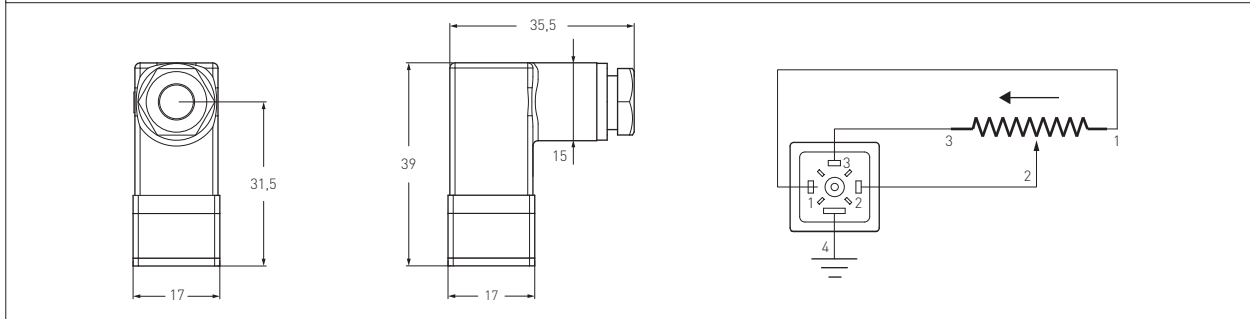


LPC (mm)	50	75	100	125	130	150	175	200	225	250	275	300	325	350	375	400	450	500	550	600	650	700	800
US (Usefull stroke)	50	75	100	125	130	150	175	200	225	250	275	300	325	350	375	400	450	500	550	600	650	700	800
MS (Mechanical stroke)	54	79	104	129	134	154	179	204	229	254	279	304	329	354	379	404	454	504	554	604	654	704	804
L (Total Length)	222	247	272	297	302	322	347	372	397	422	447	472	497	522	547	572	622	672	722	772	822	872	972

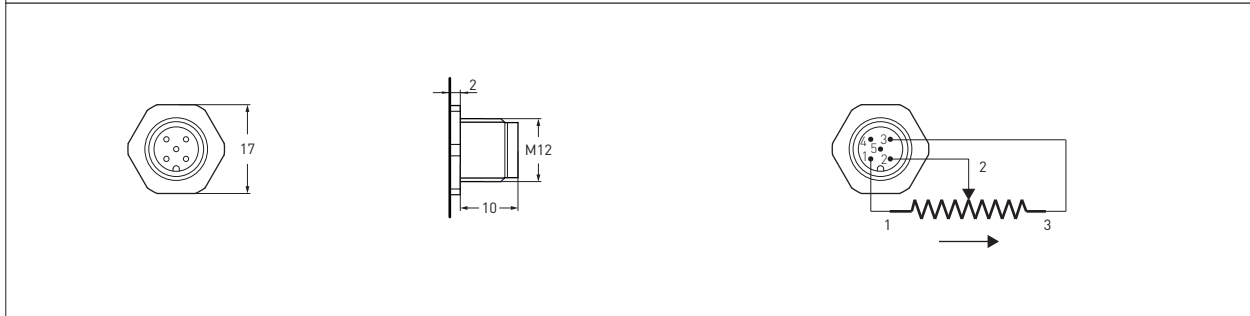
3.CONNECTOR AND CABLE



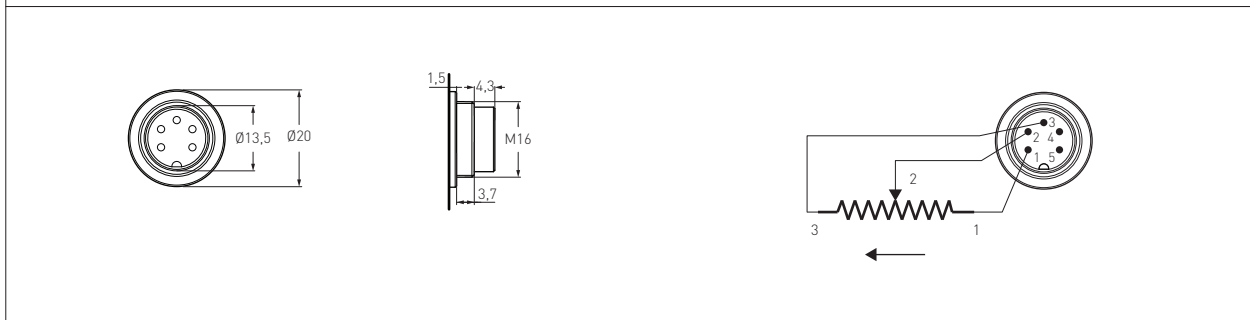
CH2: Hydraulic type, 4 pin connector output (standard)



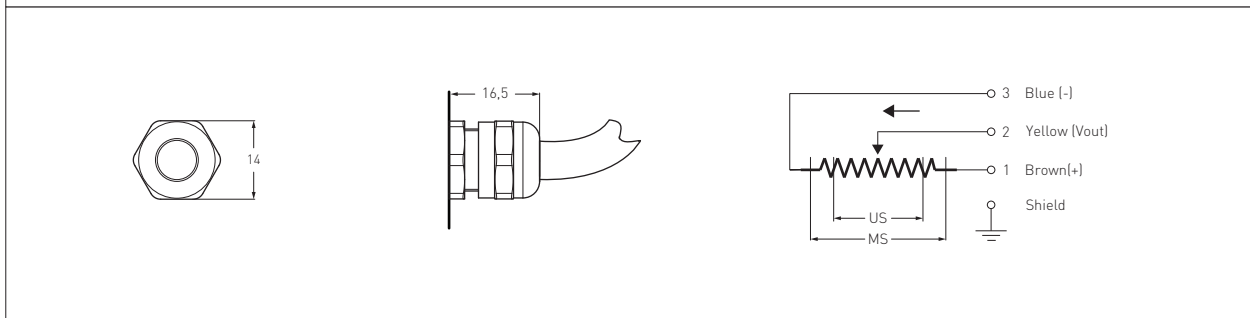
CN5A: M12, 5 pin connector output (optional)



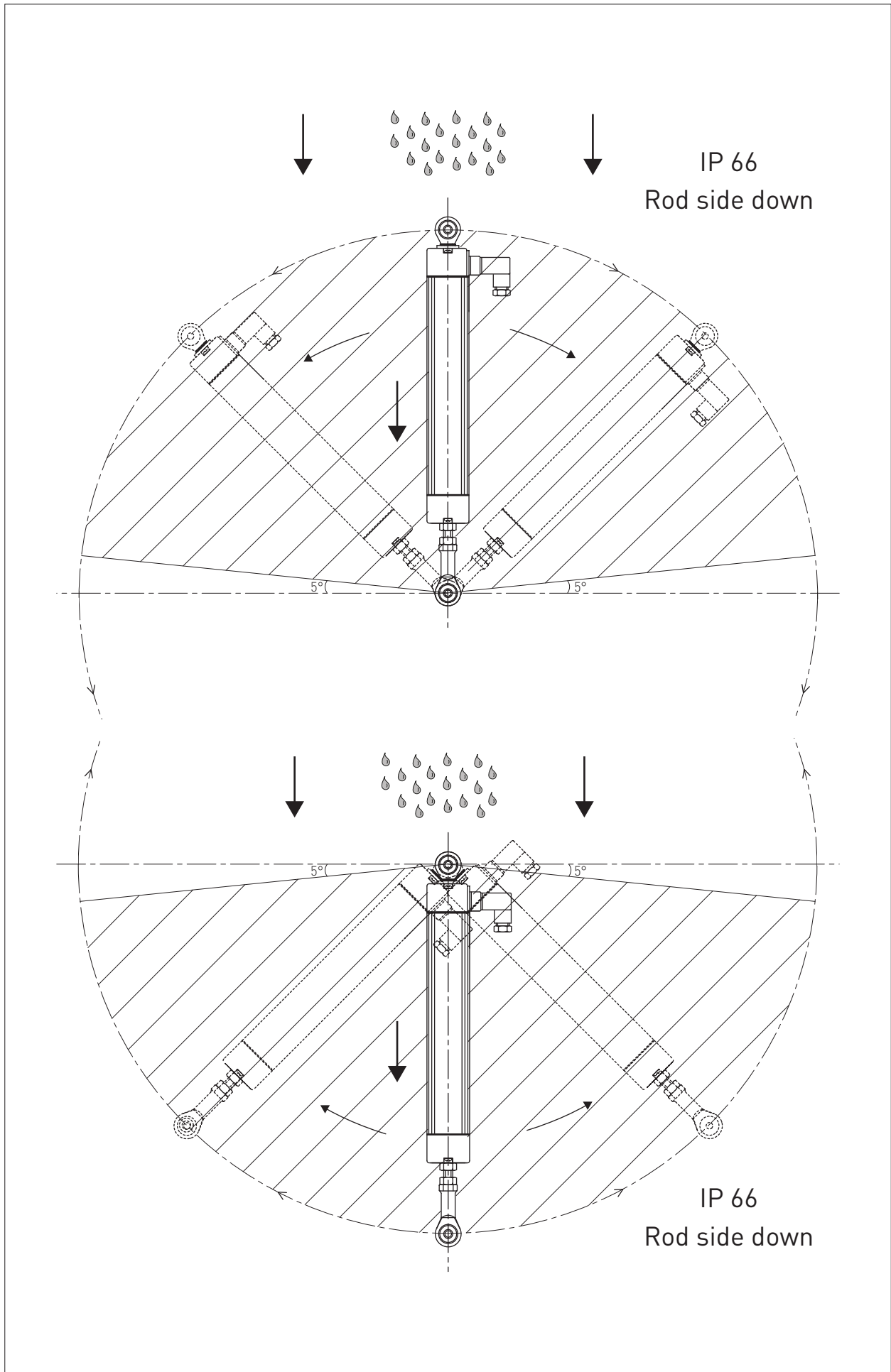
CN5B: M16, 5 pin connector output (optional)

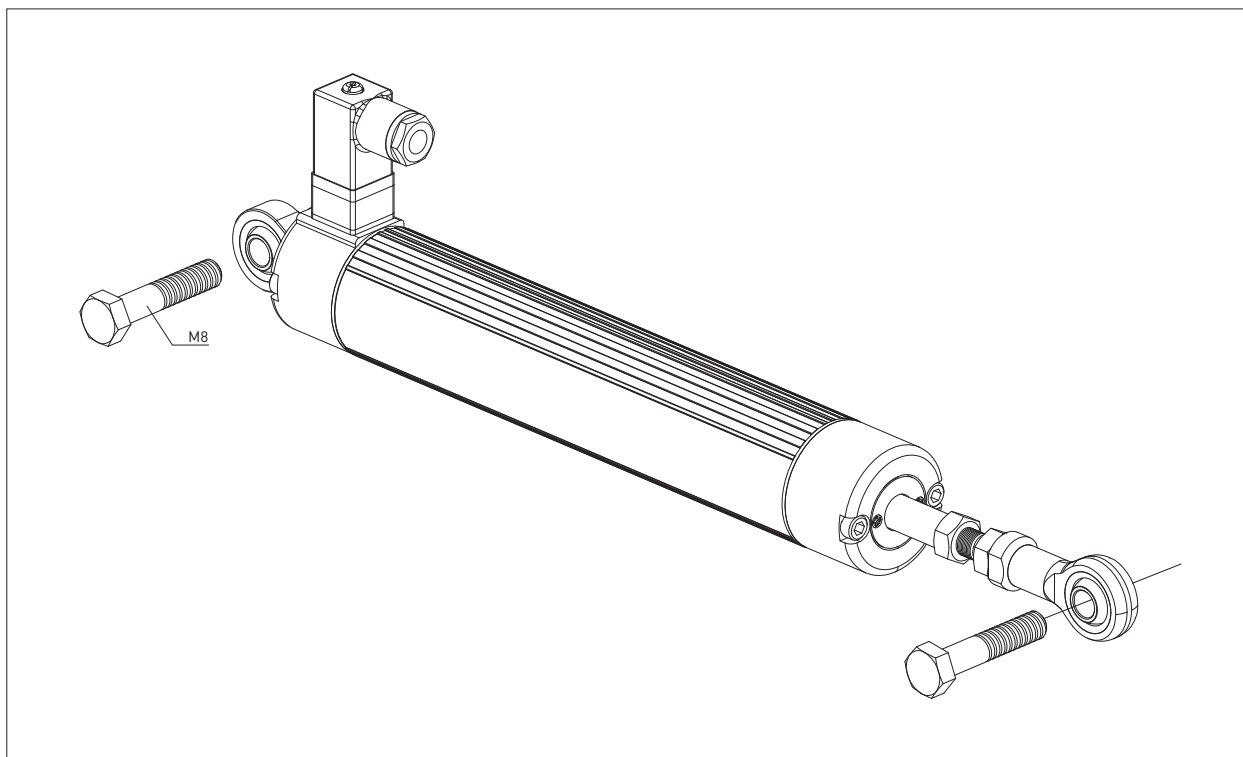


Cable output (optional)



4. RECOMMENDED MOUNTING DIRECTIONS





6.ORDERING PROCEDURE

1	Model LPC: Linear Potentiometer Long Stroke Series
2	Measuring range 50 - 800 mm
3	Linearity A: $\pm 0.5\%$ (≤ 75 mm) B: $\pm 0.2\%$ (100 - 125 mm) C: $\pm 0.1\%$ (130 - 225 mm) D: $\pm 0.05\%$ (≥ 250 mm)
4	Resistance (kOhm) 5K: 5 kOhm (50 - 600 mm) 10K: 10 kOhm (650 - 800 mm)
5	Connector / Cable CH2: Hydraulic type, 4 pin connector (standard) CN5A: 5 pin, M12 connector (optional) CN5B: 5 pin, M16 connector (optional) 1M: 1 meter cable (optional) 2M5: 2,5 meter cable (optional)

For example:

LPC	500	D	5K	CH2
1	2	3	4	5

TÜRKİYE

Headquarter, R&D, Production

OPKON Optik Elektronik Kontrol Sanayi ve Ticaret A.Ş.

Terazidere Mah. 29 Ekim Cad. No:34 Bayrampaşa / İstanbul / TÜRKİYE

Phone : +90 (212) 501 48 63

Fax : +90 (212) 501 48 83

Web : www.opkon.com.tr

E-mail : export@opkon.com.tr

GERMANY

Subsidiary

SENSORMARKET GmbH

Graeffstrasse, 5, 50823 Köln / GERMANY

Phone : +49 22159495400

Fax : +49 22159495402

Web : www.sensormarker.eu

E-mail : sales@sensormarket.eu

CHINA

Subsidiary

DANZI Sense Technology

(Shanghai) Co., LTD. Room 123 - B, F/1, No. 1000 Ziyue Road, Minhang District, 200240 Shanghai / CHINA

Hotline : 400 8050 889

Phone : 021 - 64091719

Fax : 021 - 64091713

Web : www.opkonchina.com

E-mail : marketing@opkonchina.com

opkon.com.tr

Please note: The specifications and information in this datasheet may not cover all special demands arising from specific applications. Therefore, they do not constitute a comprehensive description of the product properties. OPKON accepts no responsibility for damages resulting from the improper application of our products. The user is responsible for ensuring that the products used are suitable for their own application.