

PRD series Pressure Meter

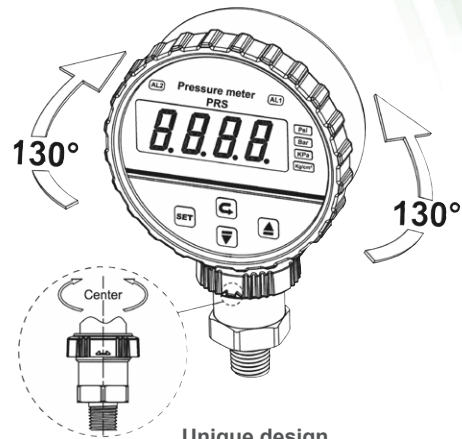
PRT & PRS & PRK series Pressure Meter

PRX & PRZ series Pressure Meter

PRC series Battery type Pressure Meter

PRA & PRV series Pressure transmitter

壓力表 & 壓力傳送器



Unique design

(Direction of Meter is rotatable)



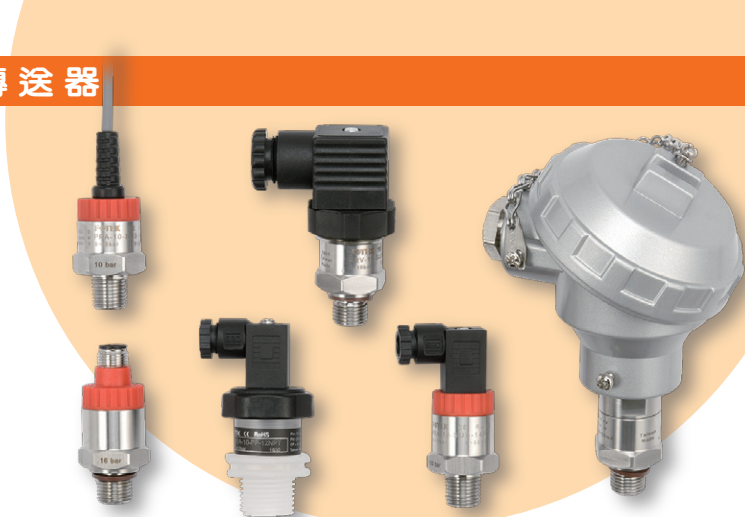
- Pressure unit : Bar / Psi / KPa / Kg/cm2 selectable
- Wetted parts material : SUS-316L or PP or Teflon are available



PRA/PRV Series 堅固型壓力傳送器

Compact Pressure Transmitter

- Ceramic pressure sensor suited to chemical fluids
(陶瓷壓力感測器適用各種化學液體)
- Accuracy less than $\pm 0.5\%$ of F.S.
(誤差小於 $\pm 0.5\%$)
- Repeatability less than $\pm 0.2\%$ of F.S.
(重複誤差小於 $\pm 0.2\%$)
- Overload pressure over 200% of rated pressure.
(最大過載壓力超過2倍額定壓力)
- Burst pressure over 300% of rated pressure.
(最大破壞壓力超過3倍額定壓力)
- Wetted parts material with 「PVDF」 or 「PP」 or 「SUS-316L」
(接口材質有PVDF、PP或SUS-316L)



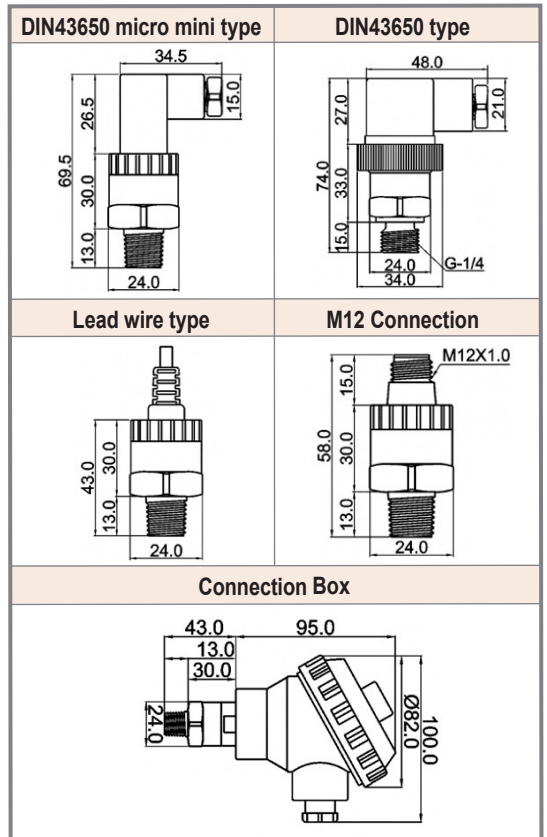
Guiding of model / 型號索引

		PRA - 01 S - TF - 14PTL - M12						※ Other pressure range are accepted to manufacture. 特殊壓力範圍可接受訂製生產	
		1	2	3	4	5	6		
1	Series 系列	「PRA」: O/P = 4-20mA 「PRV」: O/P = 0 ~ 10V or 0-5V or 1-5V or 1-6V				4	Port material 接口材質	「TF」= PVDF 「SUS」= SUS-316L 「PP」= PP	
2	Pressure range 量測範圍	「P10K」: Range = 0 ~ 10.0KPa		「30」: Range = 0 ~ 30.0 Bar		5	Tooth rule 牙規	「14PT」= PT 1/4" -3.2 Φ 「14PTS」= PT 1/4" -0.6 Φ 「14PTL」= PT 1/4" -8 Φ 「14G」= G 1/4" -4.2 Φ 「14GS」= G 1/4" -0.6 Φ 「14GL」= G 1/4" -8 Φ 「18PT」= PT 1/8" 「12NPT」= NPT 1/2" 「12FNPT」= FNPT 1/2" 「716M」= 7/16" - 20UNF (male) 「716F」= 7/16" - 20UNF (female)	
		「N1」: Range = -1.0 ~ 0.0 Bar		「100」: Range = 0 ~ 100 Bar				6	Connection 出線方式
3	Type	「S」: Precision type; 「non」: Normal type							

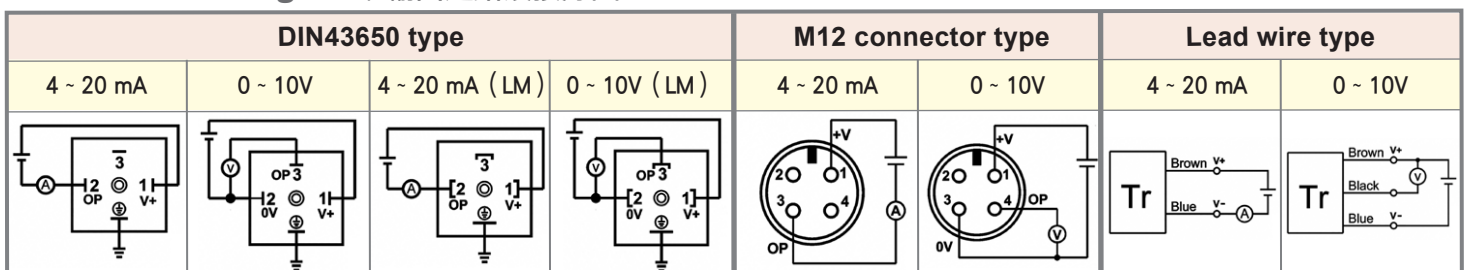
Specification / 規格

Series 系列		PRA-□□□	PRV-□□□
Output method 輸出方式		4 ~ 20mA	0 ~ 10V
Voltage 工作電壓		8 ~ 30VDC (2 wires)	12 ~ 30 VDC (3 wires)
Load 負載阻抗		75 Ω /12V or 600 Ω /24V max.	10K Ω min.
Pressure range 量測範圍		600 bar max.	
Accuracy (Max.) 線性精度		Precision type: $\pm 0.2\%$ of F.S.; Normal type: $\pm 0.5\%$ of F.S.	
Repeatability 重複精度		$\pm 0.2\%$ of F.S. max.	
Response time 反應時間		1 ms max.	
Pressure port temperature 壓力接口溫度		-40°C ~ +125°C	
Operation circumstance 工作環境		-25°C ~ +85°C; 85%RH max. (Condensation permitted)	
Thermal drift 溫度飄移		$\pm 0.02\%$ of F.S. per °C max.	
Zero long term stability 零點長期穩定度		$\pm 0.15\%$ per year max.	
Overload pressure 最大過載壓力		200% of rated pressure max.	
Burst pressure 最大破壞壓力		300% of rated pressure max.	
Diaphragm material 壓力膜片材質		「Normal」: Ceramic Al ₂ O ₃ (96%) 「Precision」: SUS-316L	
Pressure port material 接口材質		SUS-316L or PVDF or PP or PVC	
Cover material 上蓋材質		Nylon	
O-ring material 密封材質		VITON or NBR or other material	
Connection 接線方式		DIN43650A micro mini or M12 connector or Lead wire optioned	
Dielectric strength 電介強度		2.5kv / 1 minute min.	
Insulation strength 絕緣強度		100 M Ω / 500vdc	
Certification 安規		CE & RoHS	
Protection class 保護等級		IP-65	

Outline / 外形尺寸



Connection diagram / 輸出迴路及接線圖



● Tooth rule for press connection / 壓力接頭牙規

「14PT」 = PT 1/4" - 3.2Φ	「14PTS」 = PT 1/4" - 0.6Φ	「14PTL」 = PT 1/4" - 8Φ	「14GS」 = G 1/4" - 0.6Φ	「14G」 = G 1/4" - 3.2Φ
「716M」 = 7/16" - 20UNF	「716F」 = 7/16" - 20UNF	「18PT」 = PT 1/8"	「12NPT」 = NPT 1/2"	「12FNPT」 = FNPT 1/2"

● Notice / 注意事項



- 1> This product is not designed for person safety protection, Please do not apply for such as purpose.
- 2> This product piping connected, 「sealing tape」 or 「sealing gasket」 is required.
- 3> This product piping disconnected, the piping pressure must be leaked to normal pressure to avoid damage.
- 4> This product please do not applied to toxic, flammable or other harmful substances.

- 1> 本產品不是設計用在人身安全保護用途，請勿使用在此用途上！
- 2> 本產品接管一定要使用「防漏膠帶」或「防漏墊圈」以防止液體或氣體洩漏產生危險！
- 3> 本產品拆管前一定要先將管壓洩壓至大氣壓力以防止液體或氣體爆漏產生危險！
- 4> 本產品不可使用於有毒物質，易燃或其他危險材料！



- 1> Please assure the correct voltage of power supply and conformed to UL61010-1 power supply with double insulation.
- 2> Tightening torques for piping meter : 「SUS-316L」 < 50 N-m ; 「TF」 or 「PP」 < 5 N-m.
- 3> Please do not clean these products with organic solvent such as thinner or strong alkali or acid.

- 1> 請使用正確電壓的電源供應器，而且要符合UL61010-1 規範！
- 2> 表頭接管扭力限制：「SUS-316L」 < 50 N-m；「TF」或「PP」 < 5 N-m
- 3> 本產品請勿使用溶劑擦拭，如松香稀釋劑或強酸強鹼的液體。



PRS/PRT/PRK series



PRZ series



PRD series



PRA/PRV series



PRC series



PRX series

On user's position, To develop more 「Performance & Reliable controller」

以量產標準化製造 『世界標準的電控產品』

By mass production , To manufacture 「World standard controls」

以使用者角度設計 『實用耐用的電控產品』

By satisfying customer's requirements, To manage company forever.

以滿足客戶需求追求 『企業永續經營』